



EasyLube[®]

INSTALLATION GUIDE

CONTENTS

- What you will need 1
- How to fill the Easylube Cup (DIY) 2
- Easylube Assembly 3
- Easylube Program Settings 4
- Easylube Program Settings Continued 5
- Direct Mounting Installation 6
- Remote Mounting Installation..... 7
- Remote Mounting Installation Continued 8
- Troubleshooting 9
- Easylube Part Numbers..... 10
- Contact Us 11

What you will need

To begin installing your Easylube Lubricators you will require a few tools and accessories to successfully install the lubricator correctly.

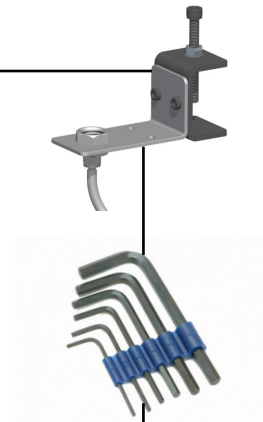
Items required for a Direct Mount Installation

- Complete Easylube - Drive unit, Protective cover, Cup & Battery
- Hand operated Grease Gun loaded with required Grease
- Spanner or small Shifting Wrench
- Direct mount adapter Fittings



Items required for a Remote Mount Installation

- Complete Easylube - Drive unit, Protective cover, Cup & Battery
- Hand operated Grease Gun loaded with required Grease
- Remote mounting Bracket & optional mounting Clip
- Spanner or small Shifting Wrench
- Remote mount Adapter Fitting
- 8mm PU Tube
- Allen key set
- Side cutter

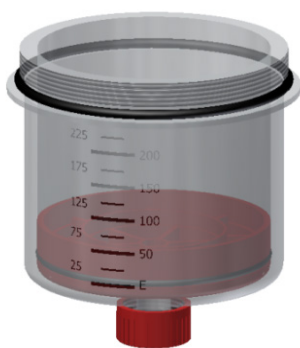


How to fill the Easylube Cup (DIY)

Before you can install your Easylube lubricator you must first ensure your Easylube Cup is filled with the correct grease for the bearing to be lubricated. If you are changing the type of grease you were using before, ensure you have checked the compatibility of the new grease vs the existing grease.

The Easylube Cup can be supplied empty or with grease already pre-filled, depending on your requirements, the Cup will come with a cap screwed on which keeps the grease clean from contaminants and allows you to store pre-filled cups in your storage area.

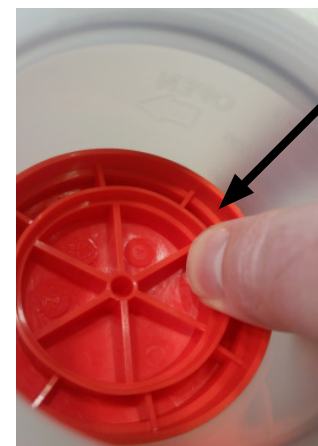
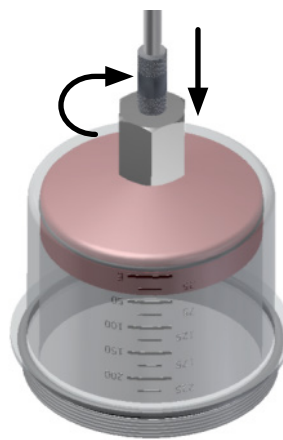
The Cup also comes packaged with a 6V Lithium battery in a box.



1. Screw off the Red Cap on the Cup



2. Locate the 1/2" Male thread on the cup & screw on the adapter fitting and attach the hand operated grease gun



3. Begin pumping the grease into the Cup, as you begin use your thumb and depress the one side of the Red Cartridge to release any air pockets.



4. Fill the cup up with grease until the Red Cartridge is level and flush with the rim of the Cup. Ensure there are no air pockets. If you can visually see an air pocket, remove the adapter fitting and depress the Red Cartridge by hand to push the grease out. Restart from step 2 again



5. Once filled, remove the Adapter fitting and screw the Red Cap back on.



Warning:

Never remove the Red Cartridge and fill from the top with grease. The cup can only be filled from the 1/2" threaded port.

Tip: Always fill your Cup in a clean dust free environment



If you do encounter the Red Cartridge being pushed out of the Cup when filling, there is an optional refilling cup available to prevent this form occurring

Easylube Assembly

How to assemble the Lubricator before installing in the field.



1. Turn the Press Plate clockwise by hand until it is gently seated at the top



2. Next, rotate the Press Plate counter-clockwise one and a half rotations

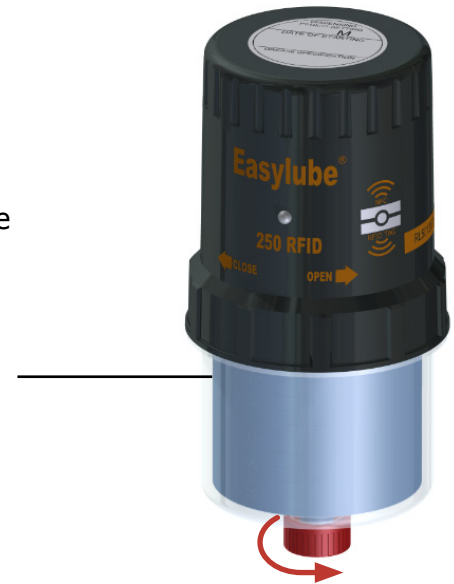


3. Remove the Red Cap on your Cup



4. Screw the Prefilled Grease Cup into the Lubricator Drive body and ensure the Press Plate makes contact with the Red Piston on the Cup. A small amount of grease should discharge from the Cup which indicates that the Press Plate is pressing against the Red Piston.

5. Screw the Red Cap back onto the Cup to avoid contamination. The Lubricator is now ready to be programmed.



Warning:

Failure to contact the Press Plate against the Red Cartridge on the Cup will cause the press plate to turn freely, this will result in no grease being Dispensed from the lubricator.

Easylube Program Settings

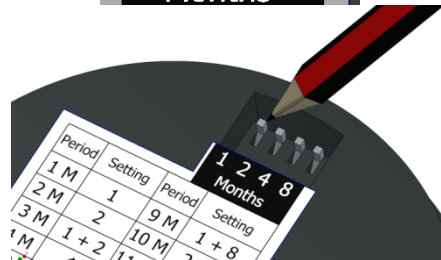
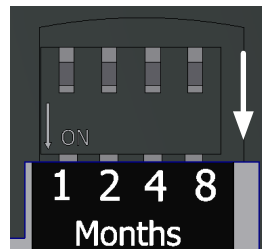
The Easylube Lubricator requires the operator to initially select the required setting. This setting determines the amount of grease the Bearing will get over a set period of time. The Lubricator can be set to any of the 12 month dispensing periods and each setting will dispense the accurate amount of grease at the desired time. Refer to **Table 1** below, the table shows the amount of grease the bearing will receive and the lubrication time intervals between cycles. It is recommended to follow OEM (Original Equipment Manufacturer) recommendation on the amount of grease the bearing will require. If you do not have an OEM recommendation you will then use the MQL (Minimum Quantity Lubrication) Formula to calculate the grease amount required by the bearing

1. The first step is to test your lubricator is fully functional and working. The Lubricator is equipped with a Self-Test mode which enables the user to test the Lubricator before use

Note: The **Elite** and **RFID** model Lubricators have their own Auto-Test mode which means you do not manually have to test the lubricator and can skip steps **1, 3** and **4**



2. Remove the top Cap on your Easylube Drive Unit



3. Switch all four DIP switches to the 'ON' position using a pen or pencil



4. Insert the battery to initiate the Lubricator; during **TEST** mode, the Lubricator will automatically rotate and push the Red Cartridge in the Cup every 7 to 8 seconds, a small amount of grease should start to discharge



Important:

If the Indicator Light flashes **RED** continuously during operation (Eg. Dispensing, Test Mode etc. The following is possible causes:

- Blockage or excessive pressure within the bearing
- Grease Cup is empty
- Battery power is Low

Refer to Troubleshooting

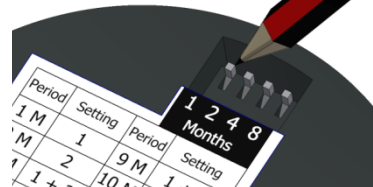
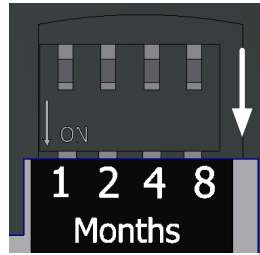
Always remember to remove the battery for at least 15 seconds whenever you change the DIP switches settings, this will allow the CPU memory to clear



Easylube Program Settings Continued



5. After completing the Test mode, remove the battery. Set all DIP switches back up to the 'OFF' position



6. You can now set your lubricator to the desired month setting, refer to the table on top of the lubricator which indicates which DIP switches need to be switched to the 'ON' position for all 12 month options



7. Put the battery back into the Lubricator and screw the Drive unit top Cap back on securely. The LED indicator light will auto blink for 5 seconds to initiate. When the LED indicator light goes off, it indicates that the Lubricator is now in operation mode with no alarms.



8. Identification - Mark the label on the top cover of the Lubricator: Dispensing Period; Date of Installation and Lubricant used. Use a pencil to easily erase and rewrite

9. Your Easylube Lubricator is now ready to be installed to the lubrication point, note that the **Elite** and **RFID** models will flash green every 30 seconds to indicate the lubricator has no faults or alarm warnings. If the Red light is flashing refer to the Troubleshooting Guide

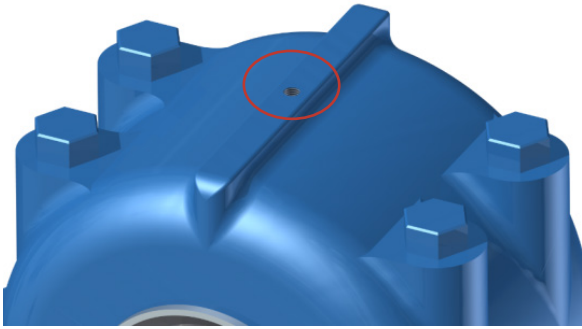


Table 1. Dispense Period and Lubrication Amount

Dispense Period	Time Span Between Cycles	Amount/Cycle		Amount/Day		Amount/Week		Amount/Month	
		150B	250B	150B	250B	150B	250B	150B	250B
Months	Hours								
1	2	0.417 ml	0.694 ml	5	8.33	35	58.33	150	250
2	4			2.5	4.16	17.5	29.16	75	125
3	6			1.67	2.77	11.67	19.44	50	83.33
4	8			1.25	2.08	8.75	14.58	37.5	62.5
5	10			1	1.66	7	11.66	30	50
6	12			0.83	1.38	5.83	9.72	25	41.66
7	14			0.71	1.19	5	8.33	21.43	35.71
8	16			0.63	1.04	4.38	7.29	18.75	31.25
9	18			0.56	0.92	3.89	6.48	16.67	27.77
10	20			0.5	0.83	3.5	5.83	15	25
11	22			0.45	0.75	3.18	5.3	13.64	22.72
12	24			0.42	0.69	2.92	4.86	12.5	20.83

Caution: The technical specification are subject to variation without notify in advance.

Direct Mounting Installation



1. Locate the lubrication point which you wish to lubricate, identify the thread size required. If there is a grease nipple or plug installed, remove it. Ensure all surfaces are clean from dirt and water.



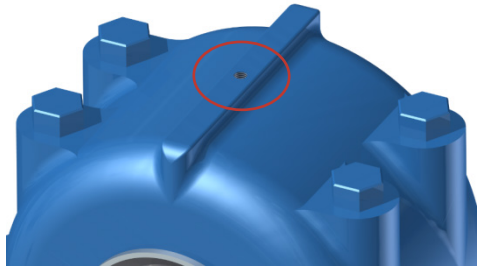
2. Use the correctly selected direct mount adapter fitting and screw it into the plunger block. Do not over tighten as you may risk breaking the fitting or damaging the thread on either the fitting or Plunger Block



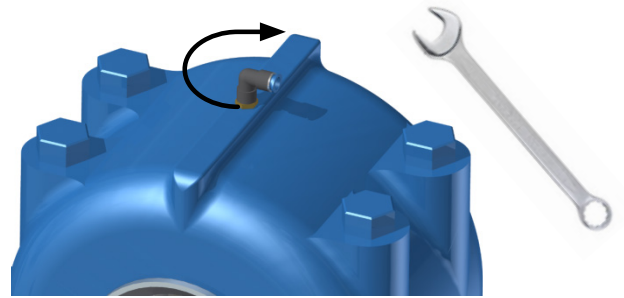
3. Remove the Red Cap on your Lubricator and directly screw the Lubricator into the adapter fitting. If using the Elite or RFID Easylube models ensure the green light is flashing. You have now successfully installed your Easylube Lubricator



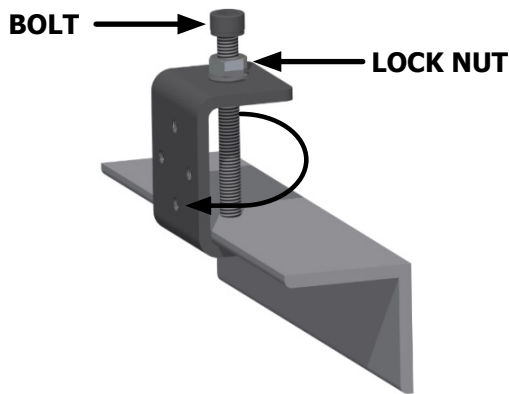
Remote Mounting Installation



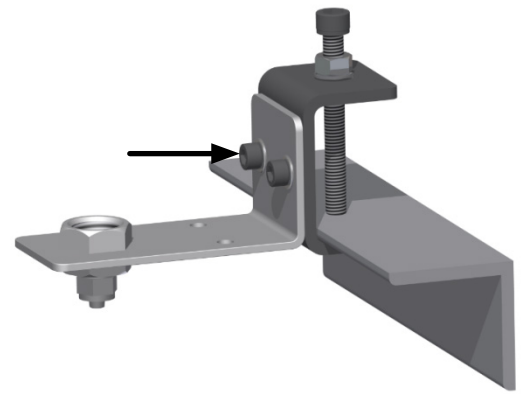
1. Locate the lubrication point which you wish to lubricate, identify the thread size required. If there is a grease nipple or plug installed, remove it. Ensure all surfaces are clean from dirt and water



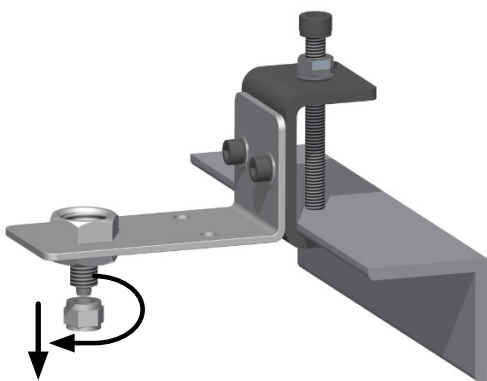
2. Use the correctly selected remote mount adapter fitting and screw it into the plumber block. Do not over tighten as you may risk breaking the fitting or damaging the thread on either the fitting or Plumber Block



3. Mount the mounting clip by tightening the bolt with an allen key firmly to any structure within 4 meters of the lube point. Now tighten the lock nut tightly, this will ensure that any vibration will not loosen the mounting clip. Ensure the spring washer is in place



4. Secure the mounting bracket to the mounting clip by screwing in the two allen cap screws

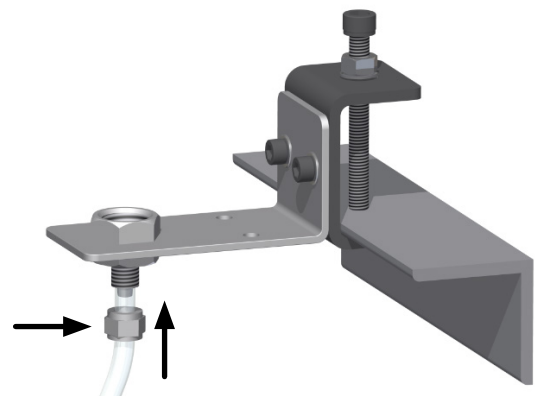


5. Remove the nut on the mounting bracket



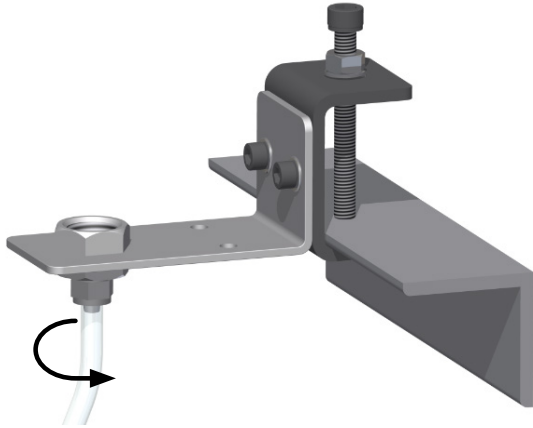
Warning:

Do not install the Lubricator if the ambient temperature exceeds 60°C or exceeds a 4 meter distance away from the lube point.

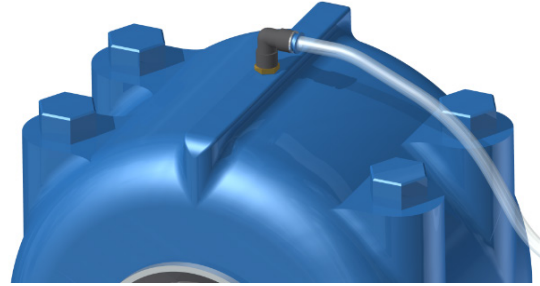


6. Slip the nut onto the PU tube and firmly press the PU tube over the bullnose nipple on the mounting bracket

Remote Mounting Installation Continued

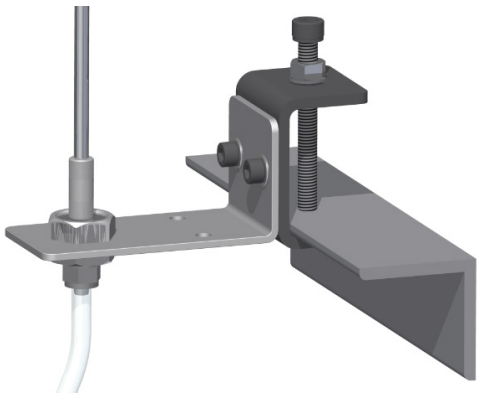


7. Tighten the nut back onto the mounting bracket. Then pull the PU pipe to ensure it is securely attached to the mounting bracket



8. Push the other end of the PU pipe into the adapter fitting on the Plumber Block. Lightly pull the PU tube to ensure it is firmly secured to the fitting

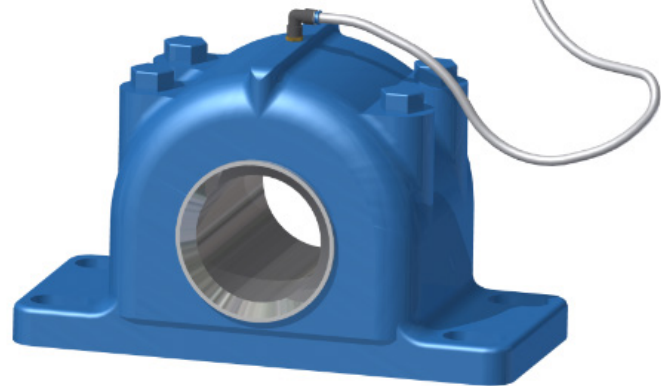
Tip: Keep the pipe length as short as possible with the least amount of bends and turns



9. Attach the grease gun to the mounting bracket and purge the PU pipe with grease. Make sure the entire pipe is filled with grease right into the Plumber Block



10. Remove the Red Cap on your Lubricator and directly screw the Lubricator into the mounting bracket. If using the Elite or RFID Easylube models ensure the green light is flashing



Troubleshooting

Indications	Possible Problems	Solutions
Red indicator light flashes	<ul style="list-style-type: none"> • Wrong operation • Grease Cup empty • Feed blockage, back pressure has exceeded 75 psi (5.2 bar) or pipe is not completely purged • Grease hardens or oil separation has occurred • Battery Low 	<ul style="list-style-type: none"> • Perform Lubricator Test procedure by following Steps 1 to 5 on page 6 (Easylube Program Settings) • Replace the battery and the Cup • Purge the bearing and pipe slowly with a grease gun until blockage is released. Make sure that the old grease is completely purged out from the bearing • Use test apparatus (Pressure gauge) to measure back pressure. Keep pipe length and bends to a minimum • Check grease properties and pump ability • Follow MQL calculation to set dispense period • A new battery must be used after every Cycle
Lubricator does not dispense	<ul style="list-style-type: none"> • Battery Low • Press plate is not correctly positioned • Incorrect grease used • Incorrect setting 	<ul style="list-style-type: none"> • Warning light consumes battery; verify battery output voltage, it should exceed 6.0 V • Do not use battery repeatedly • Refer to page 5 (Easylube Assembly) Step 4; check Press Plate position and ensure it has made contact with the Red Cartridge in the Cup • Reset dispensing period and conduct Test procedure

Easylube Part Numbers

EASYLUBE DRIVE UNIT & PROTECTIVE COVER	
STOCK CODE	DESCRIPTION
60 RFID	60ml RFID DRIVE UNIT & PROTECTIVE COVER
60 ELITE	60ml ELITE DRIVE UNIT & PROTECTIVE COVER
170 RFID	150ml RFID DRIVE UNIT & PROTECTIVE COVER
170 ELITE	150ml ELITE DRIVE UNIT & PROTECTIVE COVER
170 CLASSIC	150ml CLASSIC DRIVE UNIT & PROTECTIVE COVER
250 RFID	250ml RFID DRIVE UNIT & PROTECTIVE COVER
250 ELITE	250ml ELITE DRIVE UNIT & PROTECTIVE COVER

EASYLUBE STARTER KIT - REMOTE MOUNT	
STOCK CODE	DESCRIPTION
ER-150C-000B	CLASSIC STARTER KIT 150ml REMOTE MOUNT
ER-60E-000B	ELITE STARTER KIT 60ml REMOTE MOUNT
ER-150E-000B	ELITE STARTER KIT 150ml REMOTE MOUNT
ER-250E-000B	ELITE STARTER KIT 250ml REMOTE MOUNT
ER-60R-000B	RFID STARTER KIT 60ml REMOTE MOUNT
ER-150R-000B	RFID STARTER KIT 150ml REMOTE MOUNT
ER-250R-000B	RFID STARTER KIT 250ml REMOTE MOUNT

EASYLUBE DIRECT MOUNT FITTINGS	
STOCK CODE	DESCRIPTION
MM-111	EXTENSION PIPE, 1/8" (MM) x 29mm (L) + FF-101
MM-121	EXTENSION PIPE, 1/8" (MM) x 58mm (L) + FF-101
MM-131	EXTENSION PIPE, 1/8" (MM) x 89mm (L) + FF-101
FF-101	1/8" (F) x 1/8" (F) UNION
P-104S	1/8 (M) x 8mm (F) STRAIGHT
P-105S	1/8" (F) x 3/8" (M) STRAIGHT
P-106S	1/8" (F) x 6mm (M) STRAIGHT
P-107S	1/4" (F) x 3/8" (M) STRAIGHT
P-108S	1/4" (F) x 8mm (M) STRAIGHT
P-408S	1/2" (F) x 8mm (M) STRAIGHT
P-108A	1/2" (F) x 8mm (M) 45 DEGREE
P-201S	1/4" (F) x 1/8" (M) STRAIGHT
P-401A	1/2" (F) x 1/8" (M) 45 DEGREE
P-401S	1/2" (F) x 1/8" (M) STRAIGHT
P-402A	1/2" (F) x 1/4" (M) 45 DEGREE
P-402S	1/2" (F) x 1/4" (M) STRAIGHT

EASYLUBE CUP & BATTERY - REFILL KIT (EMPTY)	
STOCK CODE	DESCRIPTION
60 RFID CB	60ml BATTERY & EMPTY CUP - REFILL PACK
170 RFID CB	150ml BATTERY & EMPTY CUP - REFILL PACK
250 RFID CB	250ml BATTERY & EMPTY CUP - REFILL PACK

EASYLUBE STARTER KIT - DIRECT MOUNT	
STOCK CODE	DESCRIPTION
ER-150C-000A	CLASSIC STARTER KIT 150ml DIRECT MOUNT
ER-60E-000A	ELITE STARTER KIT 60ml DIRECT MOUNT
ER-150E-000A	ELITE STARTER KIT 150ml DIRECT MOUNT
ER-250E-000A	ELITE STARTER KIT 250ml DIRECT MOUNT
ER-60R-000A	RFID STARTER KIT 60ml DIRECT MOUNT
ER-150R-000A	RFID STARTER KIT 150ml DIRECT MOUNT
ER-250R-000A	RFID STARTER KIT 250ml DIRECT MOUNT

EASYLUBE SOFTWARE	
STOCK CODE	DESCRIPTION
GUARDWATCH	GUARDWATCH SOFTWARE
RFPVC	RFID TAG SINGLE (CARD TYPE)
RFPVD	RFID TAG SINGLE (3M DISC TYPE)
RFPVT	RFID TAG SINGLE (CABLE TIE TYPE)

EASYLUBE REMOTE MOUNT FITTINGS	
STOCK CODE	DESCRIPTION
P-405F	SINGLE MOUNTING BRACKET
P-406F	2 IN 1 MOUNTING BRACKET
P-407F	3 IN 1 MOUNTING BRACKET
P-408F	4 IN 1 MOUNTING BRACKET
P-409F	5 IN 1 MOUNTING BRACKET
P-410F	MOUNTING CLIP
P-506MSP	8mm PU x 6mm (M) STRAIGHT
P-507MSP	8mm PU x 8mm (M) STRAIGHT
P-501USP	8mm PU x 1/8" (M) STRAIGHT
P-502USP	8mm PU x 1/4" (M) STRAIGHT
P-503USP	8mm PU x 3/8" (M) STRAIGHT
P-591USP	8mm PU x 1/8" (M) 90 DEG ANGLE CONNECTOR
P-592USP	8mm PU x 1/4" (M) 90 DEG ANGLE CONNECTOR
P-508U	PU TUBE 5 x 8mm PER METER LENGTH
EASY-REMOTE-KIT	REMOTE MOUNTING KIT

CONTACT US



World Focus is here to provide you with more information, answer any questions you may have and create an effective solution for your lubrication needs.



WORLD FOCUS - CANADA
9131 Keele Street, Unit A4
Vaughan, Ontario
L4K 0G7
CANADA



+1 289 552 1546

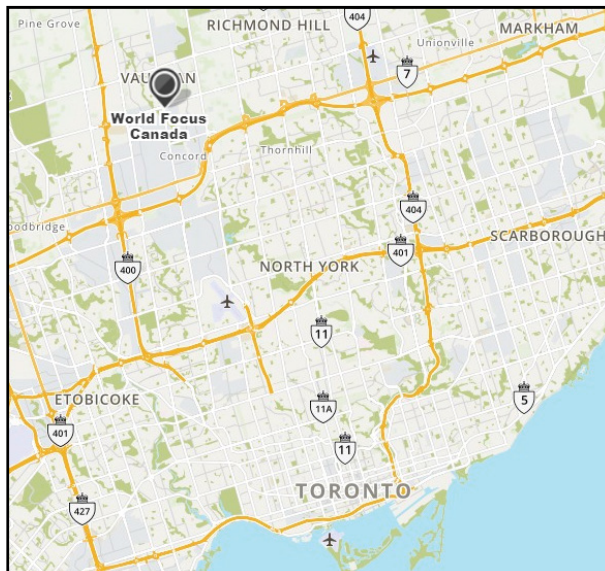


info@worldfocus.ca



Visit our website www.worldfocus.ca

Inc. No. 1101829 B.C. LTD



WORLD FOCUS - SOUTH AFRICA
19 Berghaan Crescent, Ellisras -
Lephalale
0062
SOUTH AFRICA



Tel: +27 14-763 1239
Cell. +27 81 480 9208



info@worldfocus.ca



Visit our website www.worldfocus.ca

