

AUTOL



ALP01 single point lubrication pump

1. SYSTEM OVERVIEW

- Designed for relubrication of bearings
- Durable Construction
- Large Capacity – 500ml
- High Output Pressure - 40 Bar
- Not Gas or Spring Loaded
- Electro-Mechanical
- Easy Remote Mount
- Can be used with Distribution Block
- Filled with Grease of Choice – NLGI#000 to NLGI#3
- Built in Monitor System
- 1-24 Month settings
- No refill cartridges - only replace battery!

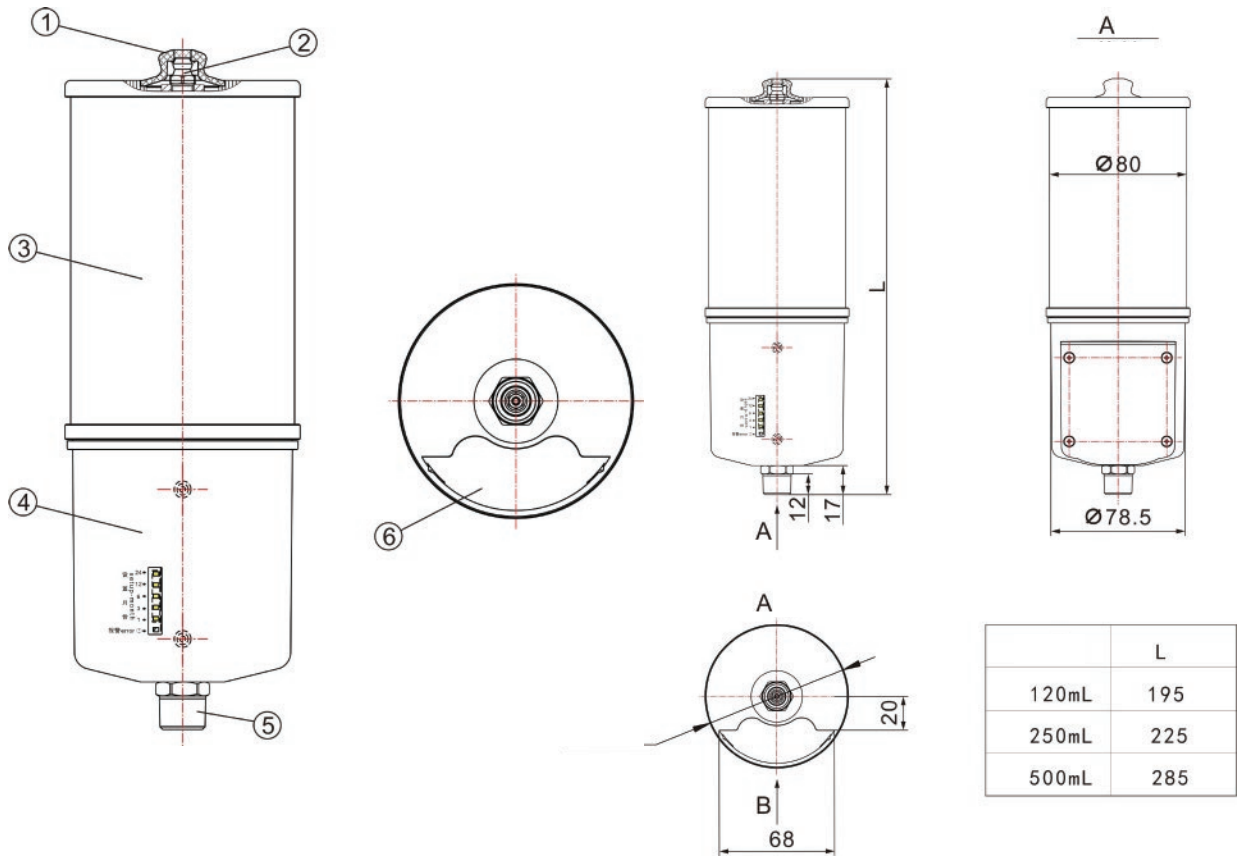
2. MODEL AND TECHNICAL PARAMETER

TECHNICAL PARAMETERS

No.	Item	Technical Data
1	Operating pressure	4MPa
2	Tank volume	500ml\250ml\120ml
3	Lubricant	NLGI#000 -NLGI#2
4	Voltage	3.6V
5	Operating Temperature	-20°C~60°C
6	Outlet connector	R3/8(standard)
7	Dispensing Setting	1、3、6、12、24 months (5 model)
8	500ml dimension	285mm×85mm (H*D)
	250ml dimension	225mm×85mm (H*D)
	120ml dimension	195mm×85mm (H*D)
9	Anti-corrosion level	C4H
10	Built-in monitor	LED screen: running model and status

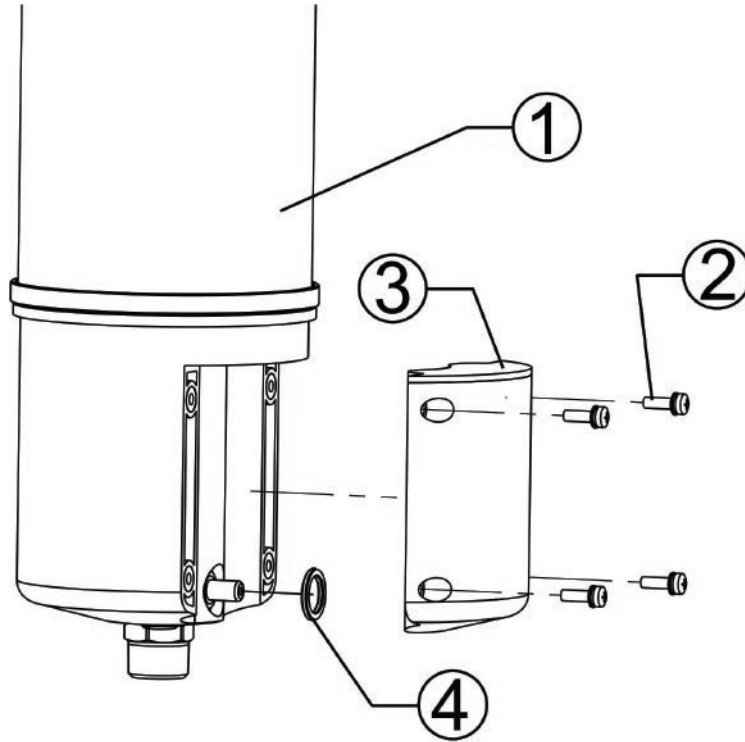
3. LUBRICATION PUMP

COMPONENTS OF ALP01 LUBRICATION PUMP



- ① Magnetic cap
- ② Filling Grease nipple
- ③ Tank assembly
- ④ Pump drive assembly
- ⑤ Outlet connector
- ⑥ Battery

4. BATTERY INSTALLATION

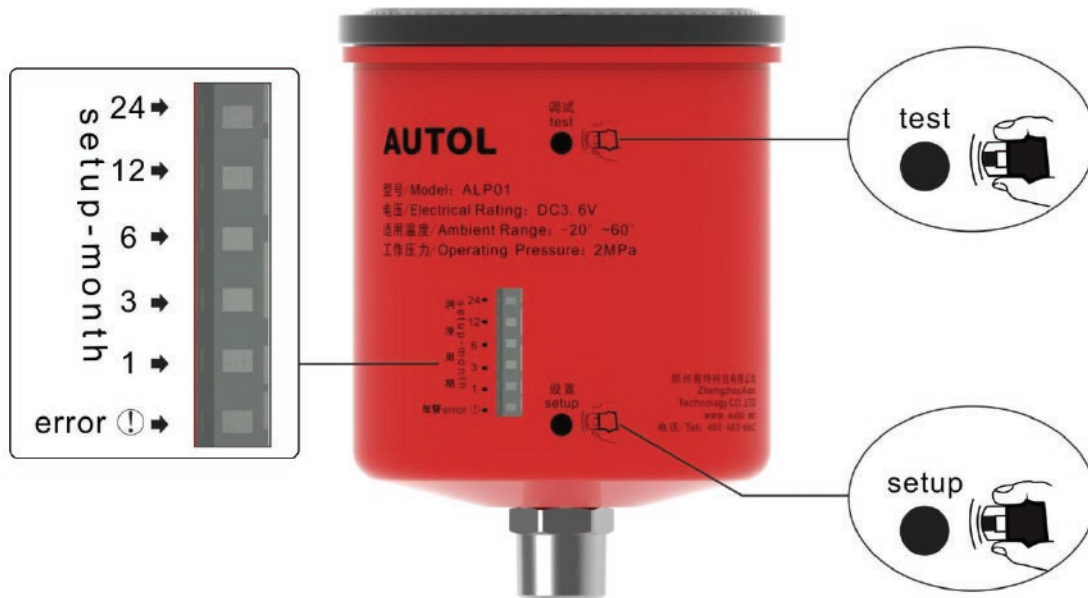


1. Install rubber seal over battery connection pin.
2. Align connection pin with battery and insert battery.
3. Use a PH2 size Phillips screwdriver to diagonally tighten the screws.
4. After completing the above, start the lubrication pump to confirm normal operation

Note: Screws and rubber seal supplied separately with each new battery

Number	Material code	Name	QTY
1	2010110010	ALP01 Lubrication pump	1
2	2010120070	Cross recessed cheese head screw M3*8	4
		Standard spring washer 3	4
		Small washer 3	4
		Battery parts	1
4		Battery compartment seal	1

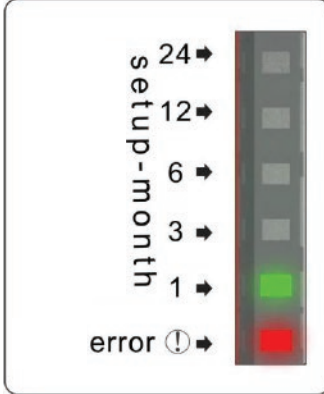
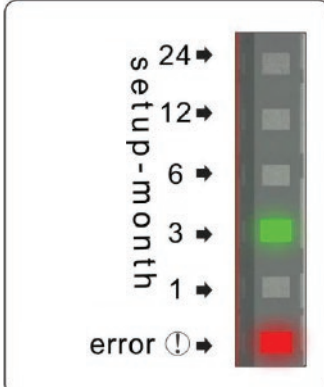
5. LUBRICATOR SETUP



Lubrication cycles are adjusted by using the magnetic cap

Activate field	Function	Operation
Setup	Monthly Setting	<p>1. Use the magnetic cap to activate "Setup mode" on the Lubricator.</p> <p>2. When in "Setup mode" the months can be adjusted by using the magnetic cap. Months setting will be visible on the LED panel.</p> <p>Note: If the monthly setting is NOT selected within 10 seconds from entering "Setup Mode" the lubricator will automatically exit "Setup mode"</p>
Test	Switch the state of the lubrication pump	<p>1. Use the magnetic Cap to activate "Just Mode" all LED lights should be flashing to indicate good operation.</p>

6. FAULT ANALYSIS AND TROUBLESHOOTING

Fault	Name	Explanation	Solution
	No pulse alarm	Low battery	Replace the battery
	Overflow Alarm	Blockage	Remove pipes & lubrication point



sales@lubespec.ca
 250 739 0960
www.lubespec.ca